

Zip HydroTap Miniboil[®]

Boiling and Ambient drinking water for kitchens and the home.

Affix Model Number Label Here

89585

GP



This page intentionally left blank

Check List

Before Installation:

- A. Read the instructions.
- B. Note: Not all fittings are supplied with the appliance kit. Isolation valves are not supplied.
- C. The pressure limiting valve must be fitted as part of the kit.
- D. Check the water quality to determine if extra filtration will be required.
- E. Check the appliance rating plate and ensure correct power is available for the appliance.
- F. Check the underbench cupboard supporting the appliance is adequate for the total weight of the appliance, when full of water.

Before Commissioning:

- 1. Check the unit has been secured correctly.
- 2. Flush the supply line before connecting.
- 3. Check all plumbing fittings have been tightened.
- 4. Ensure the outlet and vent pipes are positioned to drain correctly.
- 5. For undersink units ensure there is adequate ventilation.
- 6. Check all tubes from the undersink unit to the tap, have a constant rise and there are no 'S' traps or kinks in the hoses.
- 7. Check all electrical connections are correct and there are no loose wires.

Commission:

- 8. Turn on the water and check for leaks.
- 9. Turn on the power.
- 10. Flush the filter for 3 - 5 minutes.
- 11. Allow sufficient time for the unit to heat up, before using.

Contents

Contents	5
Read These Warnings First	6
Models covered by these instructions	6
Installation Requirements	6
Special tools required	7
Installation procedure	7
Step A - Installing the tap	7
Step B - Installing the undersink unit	8
See special note page 11, ventilation buffers.	
Step C - Installing the filter	8
Step D - Connecting the tap,	9
Step E - Connecting the Water Supply	9
Step F - Testing and commissioning	10
Operating the touch Tap.	11
Operating the lever Tap	12
Font Installation procedure	13
Trouble Shooting	13
Cleaning	14
End of life disposal	14
Notes.	15
Contact Details	16

NOTE:

All plumbing must comply with AS3500.4.1 & AS3500.4.2

All electrical must comply with AS3300 wiring rules

All refrigeration must comply with AS3350.2.24

Read These Warnings First



The power point must be located within reach of its cable. The appliance must be positioned so that the plug is accessible.



Zip Hydrotap undersink assembly.
The appliance must be placed on a horizontal surface in an upright position, as shown above.

Safety

This appliance is not intended for use by persons (Including Children) with reduced physical, sensory or mental capabilities, or lack of experience and knowledge, unless they have been given supervision or instruction concerning use of the appliance by a person responsible for their safety.

Children should be supervised to ensure they do not play with the appliance

Qualifications

If any power cord or plug is damaged it must be repaired only by a qualified technician. To avoid hazards, all installation procedures must be carried out by a suitably qualified trades person. The power cord and general power outlet must be in a safe visible position for connection.

Venting

Sometimes steam and / or boiling water may discharge through a vent outlet at the mouth of the tap. If the tap is not installed using the Font pedestal, ensure the tap body is located so the tap outlet safely drains into the sink bowl area.

Lifting

Take care when lifting the Zip HydroTap undersink unit. Some units may exceed safe lifting limits. Do not lift without assistance. The weights of the units are given in the table under the heading "Installation Requirements".

Airflow

The ambient temperatures this unit should operate within are 5°C - 35°C. Proper air circulation must be provided. The system will operate satisfactorily only if the recommended air gaps are provided, these are 65mm min rear clearance and 50mm side clearance. Included in the installation pack are adhesive backed silicon buffers. If air vents are not installed in the cupboards housing the HydroTap, the buffers must be placed on the inside edge of the cupboard door to create a slight gap ensuring a minimum airflow. Failure to do this may cause the HydroTap to overheat and operate inefficiently.

Note:

Always ensure the hoses are shortened so that any excess is removed and their route is the most direct line between the tap assembly and the HydroTap unit.

Do not allow the hoses to sag or droop so water is trapped within the hoses.

Positioning of the tap assembly must be within the following parameters:

The height between the base of the Hydrotap unit and the base of the Tap assembly cannot be greater than 900mm.

The height between the top of the unit and the bottom of the tap must be greater than 400mm.

Read These Warnings continued

Frost Protection

If this appliance is located where the ambient air temperature could fall below 5°C when the heater is not in use, do not turn off the appliance electrically. This safeguard does not offer the same protection to the connecting pipework and fittings.

Installation Environment Considerations

This unit is intended for indoor use only and should never be installed outdoors or exposed to the elements of nature. This unit must not be positioned in an area that may be cleaned by a water jet. This unit must not be cleaned by a water jet.

Models Covered by These Instructions

MODEL	Capacity	Power Rating
Miniboil BA Classic	1.8 Litres	2000 Watts
Miniboil BA Elite	1.8 Litres	2000 Watts

Installation Requirements

Before installing ensure that the following have been provided at the installation site:

- Sufficient space in the cupboard to install the undersink unit in accordance with these Installation Instructions. A table of dimensions is given below.

MODEL	HEIGHT (mm)	DEPTH (mm)	Width (mm)	Weight Dry (Kg)	Weight full (Kg)
Miniboil	338	272	212	6.5	8.3

NOTE: Add 65mm to the side of the undersink unit to allow for Air circulation

- A water supply connection with isolating valve inside the cupboard within each of the 750 mm flexible connection and positioned so that the connection point and the stop cock will not be obstructed when the undersink unit is installed.
- Power supply 220-240 Volt AC, for connection to the heater via a 10 amp G.P.O.
- This switch must provide all-pole disconnection and a contact separation of at least 3mm installed in accordance with wiring rules.
- Cold water supply with a minimum working pressure of 172 kPa and a maximum working pressure of 700 kPa connected via an isolation valve.
(A 500kPa pressure limiting valve is supplied with the filter kit and must be installed)



Important: Do not proceed with the installation if these requirements are not met.

Special Tools Required

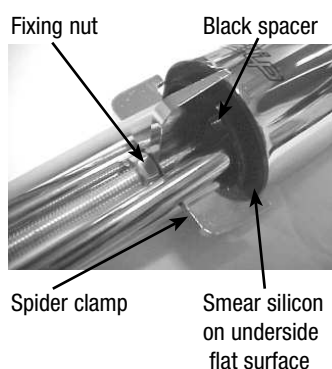
In addition to normal tools, the following will be required:

- 35mm diameter sheet metal hole punch for sink tops. (not supplied)
- 35mm diameter hole saw for timber bench tops. (not supplied)
- Nut runner tube spanner (supplied) for fixing tap assembly.

When installing a Font unit:

- 108mm diameter sheet metal or hole saw to suit surface being cut.

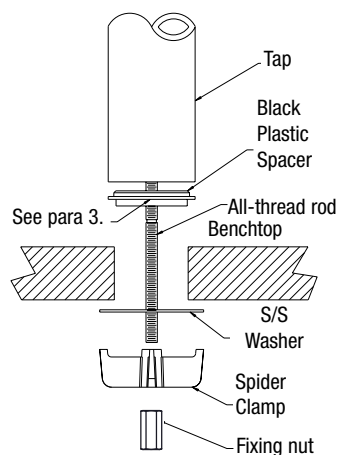
Installation Procedure



Note: A stainless steel washer is supplied to go in between the Spider Clamp and the underside of the sink top.

Step A - Installing the tap

1. Make sure that the tap location will allow the nozzle to drain into the sink.
2. Cut a 35mm hole in the bench / sink top.
3. Install the black plastic spacer to the base of the tap and ensure it remains in place as this is the moisture seal against the bench / sink top. **A light smearing of silicon sealant on the underside of the spacer will ensure a watertight fit.**
4. Pass the hoses through the 35mm hole and carefully locate the Head Assembly and black spacer on the bench / sink area.
5. From the underside of the bench / sink area re-locate the S/S washer and "Spider Clamp" by feeding each of the tubes and electrical cable evenly in between the legs of the "Spider Clamp". Slide it up to meet the "All Thread", and pass the "All Thread" through the center of the "Spider Clamp".
6. Hold the "All Thread" steady and re-fit the 6mm nut to the "All Thread" using the tube spanner supplied in the kit. Check the Tap Head position before securing it tightly against the bench / sink top.



NOTE 1: The tap assembly must not be positioned more than 900mm above the HydroTap unit.

Failure to do this may result in poor water delivery.

NOTE 2: Under no circumstances should the Tap be twisted after the installation is complete.

Step B - Installing the undersink unit

This instruction is critical :

Adjust both cupboard door hinges and attach the supplied rubber door buffers to the doors to create a 4 mm air-gap between the doors and the cupboard. This is the minimum ventilation requirement for low usage installations.

Proper air circulation is important for efficient running of the Hydrotap models. Therefore cupboard ventilation for Hydrotap models is recommended.

SPECIAL NOTE: The HydroTap undersink units are heavy, take note of the weights listed in the table on page 6. If you think you cannot lift the unit safely, get help and avoid possible injury.

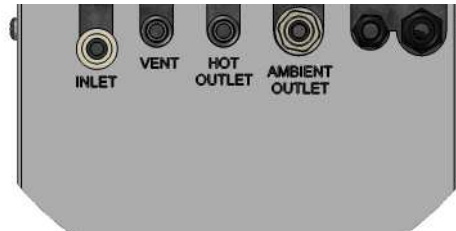
Position the Zip HydroTap undersink unit as close as possible to directly beneath the Zip HydroTap tap head.

The connection tubes supplied with the tap head assembly CANNOT be lengthened.

Allow at least a 65 mm air-gap to the LHS for air circulation

Note:

Included in the installation pack are adhesive backed silicon buffers. If air vents are not installed in the cupboards housing the HydroTap, the buffers must be placed on the inside edge of the cupboard door to create a slight gap ensuring a minimum airflow. Failure to do this may cause the HydroTap to overheat and operate inefficiently.



Connection as viewed from the top

Step C - Installing the filter

The Miniboil is supplied with an external filter (see diagram below). It is important the filter be securely fixed adjacent to the under sink unit in such a manner as to allow for easy access to the filter, for service and regular replacement.

The ¼" tube supplied must be carefully measured and cut to allow for the connection of the filter, double check valve and JG fittings.

Filter assembly sequence: (see fig.1)

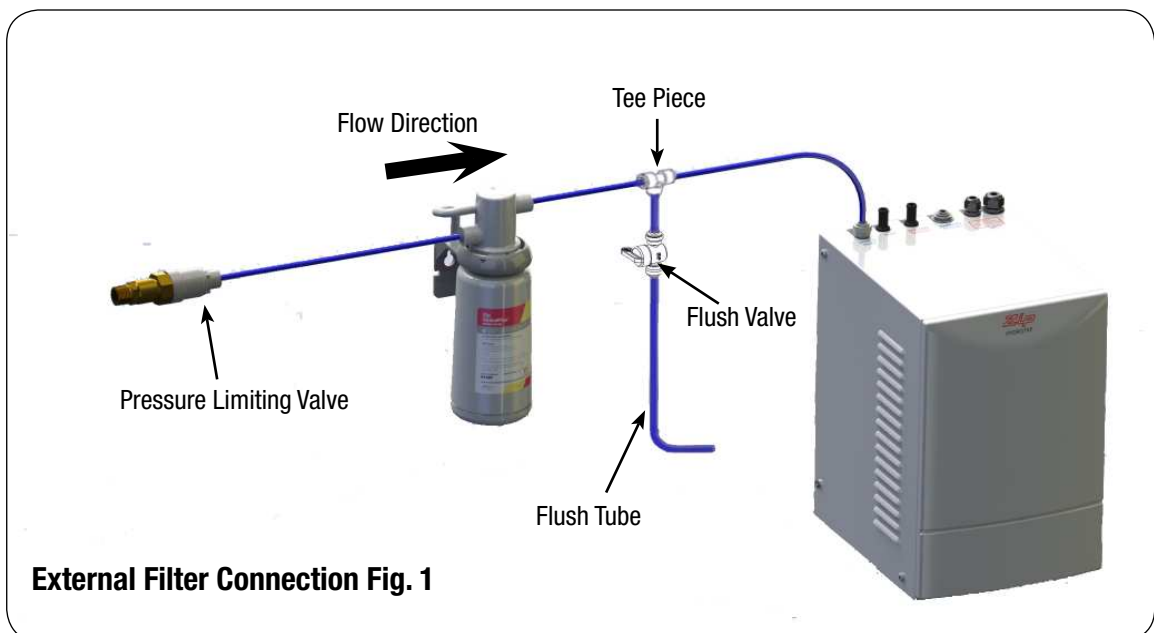
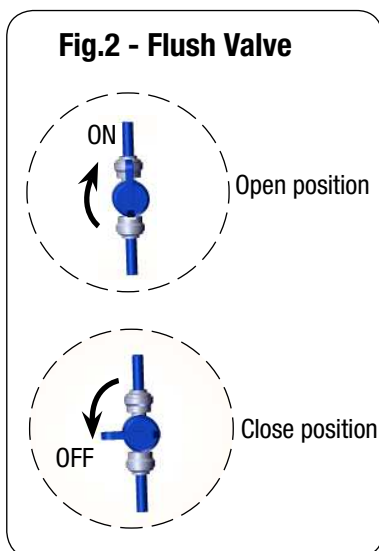


Fig.2 - Flush Valve



- Fit the pressure limiting valve to the outlet side of the isolating valve (not supplied).

- Mount the filter and flush valve assemblies in a convenient position using the angle bracket supplied. Connect the filter assembly plumbing between the pressure limiting valve and the inlet of the undersink unit, using the ¼” JG fittings supplied (see Figure.1 on page 8). Take note of the flow direction, marked with an arrow on the top of the filter head.

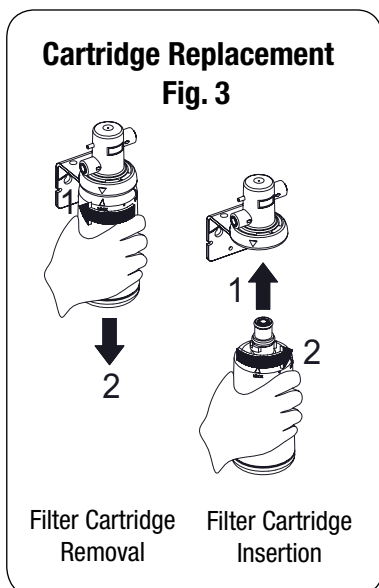
- Ensure the flush valve is accessible after installation as this will be required to flush water through the filter, when the filter is installed or changed.

- **When commissioning, it is advisable to flush the filter for several minutes to remove any fine filter particles or accumulated plumbing debris. Use a bucket to collect and dispose of, the waste water.**

- To flush the filter, first turn on the water supply and then turn on the flush valve (see Fig.2) and discharge approximately 7.5L of water into the bucket.

- Once the filter has been flushed, turn the flush valve off.

**Cartridge Replacement
Fig. 3**



Filter insertion and replacement: (see fig.3)

Align the tabs of the cartridge with the filter housing and insert it up into the socket.

Turn the cartridge a quarter turn to the right until it locks into position.

Reverse this procedure for removal.

Step D - Connecting the tap

Measure and trim the RED tube and connect it to the hot water outlet located on the top of the undersink unit.

Measure and trim the BLUE tube and connect it to the ambient outlet located on the top of the undersink unit.

Measure and trim the clear tube and connect it to the vent outlet located on the top of the undersink unit.

NOTE: All tubes must have a continuous fall back to the undersink unit.

Connect the tap USB connector to the USB port on the undersink unit. Orient the USB plug carefully and connect, do not force the plug. Once connected, fix the cable to the wall, ensure it is away from any possible water splashes and is off the floor.

Note: When trimming any silicon tubes trim to minimum length, do not loop any excess or allow kinking of the tubes. When connecting, slide the tube over the pipe at least 15mm.

Warning: If the Zip HydroTap is switched off for a long period of time (e.g. more than a weekend), run water through the chilled water outlet for at least 5 minutes before consumption.

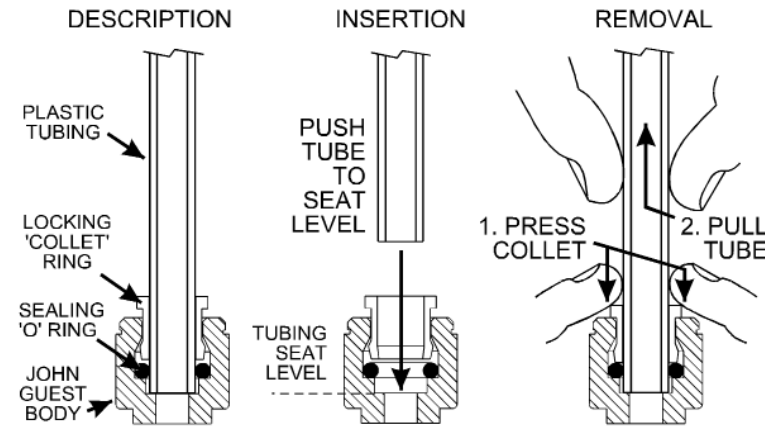
Step E - Connecting the water supply

To prevent sediment from entering the Zip HydroTap at connection, flush water through the supply line thoroughly before connection to the Zip HydroTap. Connect the water supply to the top of the undersink unit using the JG tube supplied. Turn on water and check for leaks. If no leaks are evident turn the power on.

NOTE :

New hose sets supplied with the unit should be used. Do not use old hose sets.

John Guest (JG) fittings - Assembly and Removal



Step F - Testing and commissioning

Boiling

The unit is now running in normal operating mode. The Red LED will flash until usable temperature is reached.

Before using the HydroTap wait 5 minutes after this point to allow adequate fill time. The unit is now ready for use. Test water delivery from the tap and check for appropriate temperatures. Use cable clips to tidy and secure wiring.

Tap top controls:

The Miniboil uses touch switches to dispense

Boiling and Ambient water. There are no buttons to press and no levers to operate. This design allows for easier cleaning and operation.

Safety lock:

The safety lock will not allow the dispensing of Boiling water unless the RED markers for Boiling water and the safety lock are touched at the same time.

This function cannot be turned off for your safety.



Operating the touch Tap

- To dispense boiling water touch the Red Markers + Safety Lock simultaneously.
- To dispense ambient water touch the blue markers.

Red Boiling Water Light

- ON all the time:** This indicates boiling water is ready to be dispensed.
- Flashing Fast:** This indicates the boiling water is below usable temperature and the Sleep Mode is OFF.
- Flashing Slowly:** This indicates Sleep Mode is active.

To Reset Sleep Mode

- Set Sleep Mode ON:** Touch the COLD markers and SAFETY lock simultaneously for at least 5 seconds, until both the RED and WHITE lights flash together, for a few flashes. Sleep mode maintains the water temperature at 64°C and will only become active when the system has not been used for 2 hours. Operation of the tap will wake the system from sleep and boiling water will be available when the RED light is ON all the time. (This may take a few minutes)
- Set Sleep Mode OFF:** Touch the COLD markers and SAFETY lock simultaneously for at least 5 seconds, until both the RED and WHITE lights flash alternately, for a few flashes.

White Filter Light

- Flashing:** This indicates the filter needs to be replaced. The WHITE light will start to flash when the counters have recorded 12 months of use or after dispensing 4000 Litres, whichever occurs first.

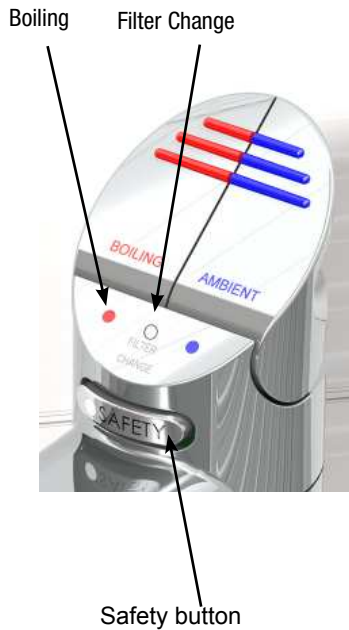
- Set filter light OFF:** Reset the system by touching continuously, the COLD and HOT markers. The flashing WHITE light will turn OFF after 10 seconds and the counters will be set to zero

- Filter change:** If the filter is changed early, reset the system by touching continuously, the COLD and HOT markers. The WHITE light will turn ON and after 10 seconds will turn OFF. The counters will be set to zero.

- WARNING:** When all the lights are flashing, the system has experienced a fault. Turn the power OFF to the undersink unit for at least 15 minutes. When the power is turned ON the system may revert to normal operation. If all the lights continue to flash then there is a system fault which must be rectified by an authorised service agent.



Operating the lever Tap



Red Boiling Water Light

On all the time:

This indicates that the boiling water is ready.

Flashing Fast:

This indicates the boiling water is below usable temperature and the Sleep Mode is OFF.

Flashing Slowly:

This indicates Sleep Mode is active.

Filter light

Filter Change Light Off:

This indicates the filter is operating within its normal specified lifespan.

Filter Change Light Flashing slowly :

The light will flash slowly when the filter is due for replacement and the LCD will show "Filter Change". Refer to "Replacing the filter" section of this document.

Press or pull lever



Lever Operation

Boiling Water Lever

Depressing the "Red" lever and the safety button simultaneously, allows dispensing of Boiling water. Pulling up the Red lever, while pressing the safety button, allows the tap to operate in a "fixed" mode. Water will flow from between 5 and 15 seconds. To reset, return the handle to the "Off" position and repeat the step. The lever has to be manually returned to the "Off" position.

Ambient Water Lever

Depressing the "Blue" lever allows dispensing of Ambient water.

Pulling up the Blue lever allows the tap to operate in a "no-touch" mode. Water will flow from between 5 and 15 seconds. To reset, return the handle to the "Off" position and repeat the step. The lever has to be manually returned to the "Off" position.



HydroTap with Disable levers fitted

Font Installation Procedure



A font kit installation is available for this product and is sold separately as an accessory. For details of the available font kits, please contact your Zip customer service provider. The font installation instructions and mounting template are supplied with the font kit.

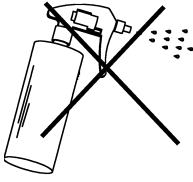
Font Kit Part No.

90915	Font Kit Miniboil Elite
90046	Font Kit Miniboil Classic

Trouble Shooting

Symptom	Possible Cause	Solution
No LED display, no tap head lights or, no water when tap is operated.	No power.	Check power supply.
	Plug is not located in power socket.	Ensure power plug is correctly fitted and switch is turned ON.
	Tap loom is not connected to HydroTap unit.	Check loom connection.
	Possible internal fault.	Contact local Zip Service Provider.
No water flow.	Water supply isolated.	Check water supply is on.
	Water supply not connected.	Check to ensure plumbing connection is made.
	Power supply not connected.	Check power plug is correctly fitted and switch is turned on.
	Water or moisture on the tap top control.	Ensure tap top control is dry.
	Tap loom is not connected to HydroTap unit.	Check for loom connection.
Slow water recovery after use.	Possible internal fault.	Contact local Zip Service Provider.
	Water restriction	Check lines for blockages or restrictions Possible blocked filter
Water not hot.	Unit is in Sleep Mode.	Touch Hot lever and wait for Red LED to stop flashing. Wait for Red LED to stop flashing.
	Possible internal fault.	Contact local Zip Service Provider.
All the lights are flashing	Power interruption	Turn OFF power for 15 Min and then reconnect.
	Water interruption	Check for blockages
	System Fault	Contact local Zip Service Provider

Cleaning



Do not use strong, corrosive, spray or abrasive cleaners. Clean with a soft cloth or brush and mild soap and water.

Do not spray water over the tap as it may damage the low-voltage electronics.

Undersink units must never be cleaned with water jets.

End of life disposal

In order to help preserve our environment we ask that you dispose of this product correctly. Please contact your local city council for collection centre details.

Notes

Contact Details

Head Office

Zip Heaters (Aust) Pty. Ltd
ABN: 46 000 578 727
67 Allingham Street
Condell Park NSW 2200
Postal: Locked Bag 80
Bankstown 1885 Australia

Website: www.zipheaters.com
Facsimile: (02) 9796 3858
Telephone: (02) 9796 3100
Free Call: 1 800 638 633

As Zip policy is one of continuous product improvement, changes to specifications may be made without prior notice. Images in this booklet have been modified and may not be true representations of the finished goods.

The standard cup referred to in this publication is 167 ml (6 fl oz).

The standard glass is 200 ml (7 fl oz).

The terms "Zip" and "HydroTap" are registered trade marks of Zip Heaters (Aust) Pty Ltd.

Zip products described in this publication are manufactured under one or more of the following patents: AU675601, AU637412, AU635979, GB0422305, GB2065848, US4354049, US5103859, US5099825 and SA2006/08043. Other patents are in force and patent applications are pending.

